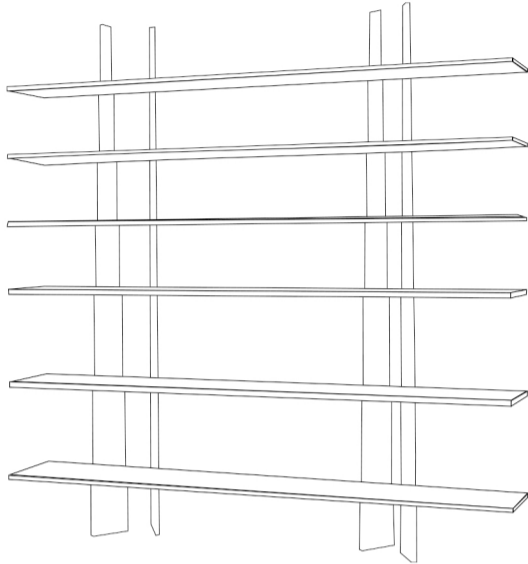


| name                | dimensions h/w/l  |
|---------------------|-------------------|
| Forest shelf 200 cm | 200 x 200 x 30 cm |
| Forest shelf 180 cm | 180 x 200 x 30 cm |
| Forest shelf 160 cm | 160 x 200 x 30 cm |



## Forest shelf

The Forest shelf takes its inspiration from classic Japanese culture, invoking a sense of simplicity, lightness and natural elegance.

This durable birch plywood shelf consists of horizontal shelves and vertical stepped columns that easily and intuitively lock together. Each shelf is precision milled with a specific groove that slides from the top of the columns and fixed into its corresponding step. The clever and simple assembly is without tools, screws or glue joints and can be disassembled and reassembled many times. This shelf forms a compelling visual presence that enhances any environment, be it in the home, office or public space.

Designed by Ronen Kadushin

### Material and Finish Options:

- 18mm birch plywood, lacquered (water based lacquer)
- 20mm birch plywood with European oak veneer, oiled
- 18mm birch plywood with white melamine laminate, oiled sides
- DIY - 18mm birch plywood, no finish

